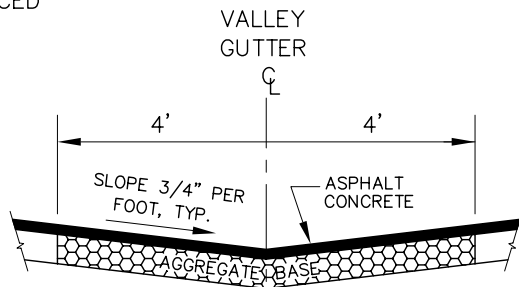
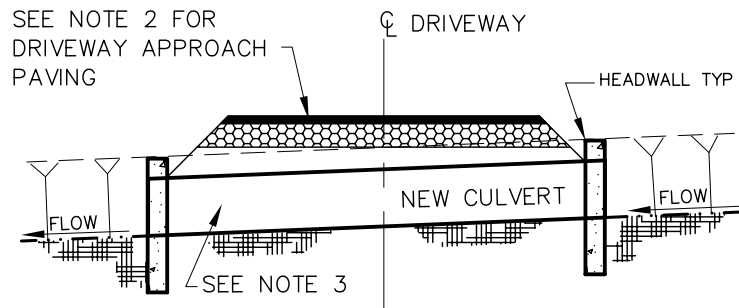


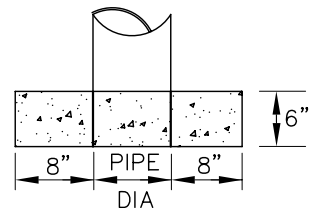
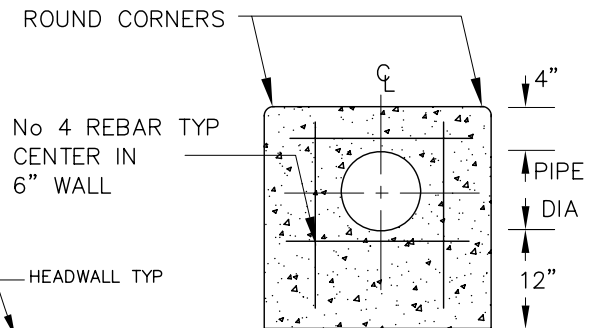
**NOTE:**  
SEE MENDOT STD. A51B  
FOR ALL REFERENCED  
NOTES.



**PAVED VALLEY GUTTER**



**CULVERT DETAIL**



**HEADWALL**



**COMMERCIAL DRIVEWAY  
AND PRIVATE ROAD APPROACH  
RURAL ROADS**

MENDOT  
STD. NO.  
**A51B**